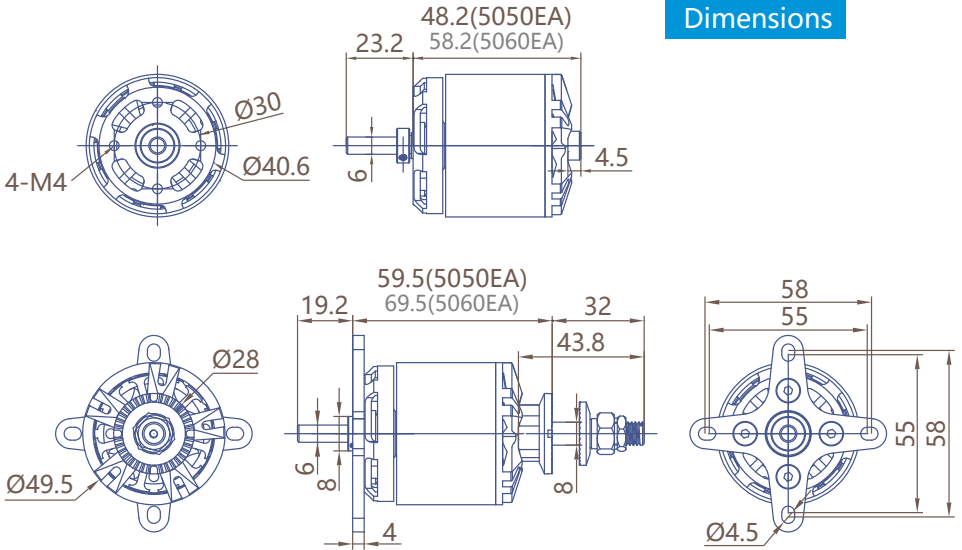


XM5050EA-V3



Dimensions



Specification

EA V3 Series	XM5050EA-12	XM5050EA-14
SKU(商品编码)	51863	51864
KV(KV值)	610	515
Stator Dimensions(定子尺寸)	4120	4120
Diameter of Shaft(MM)(轴径)	6.0	6.0
Ri(mOhm)(电阻)	14.2	18.5
I _o @10V (A)(空载电流)	1.8	1.5
Weight(g)(重量)	290	292
Burst Current (15S)[A](峰值电流)	70	65
Power(15S)[W](峰值功率)	1400	1560
Torque [N*M](峰值扭矩)	1.37	1.51
Recommended ESC (推荐调速器)	SUMMIT 80	SUMMIT 80
Propeller(螺旋桨)	5S: 15x8E 6S: 14x6	5S: 16x8E, 17x8E 6S: 15x8E, 16x6
Memo (备注)	70E, 50-60 2-stroke	Up to .82 4st